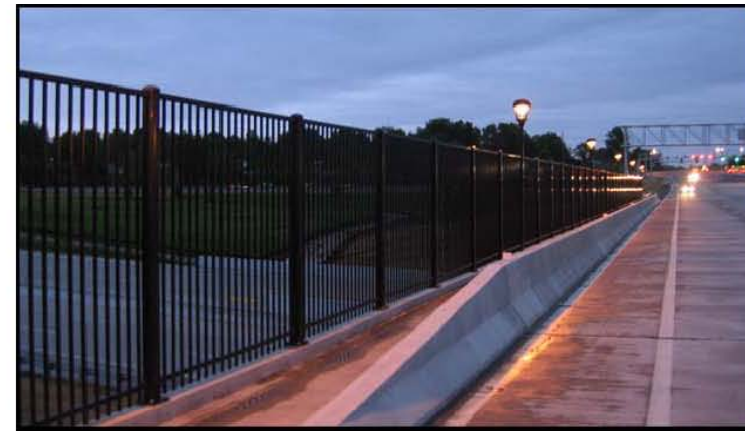


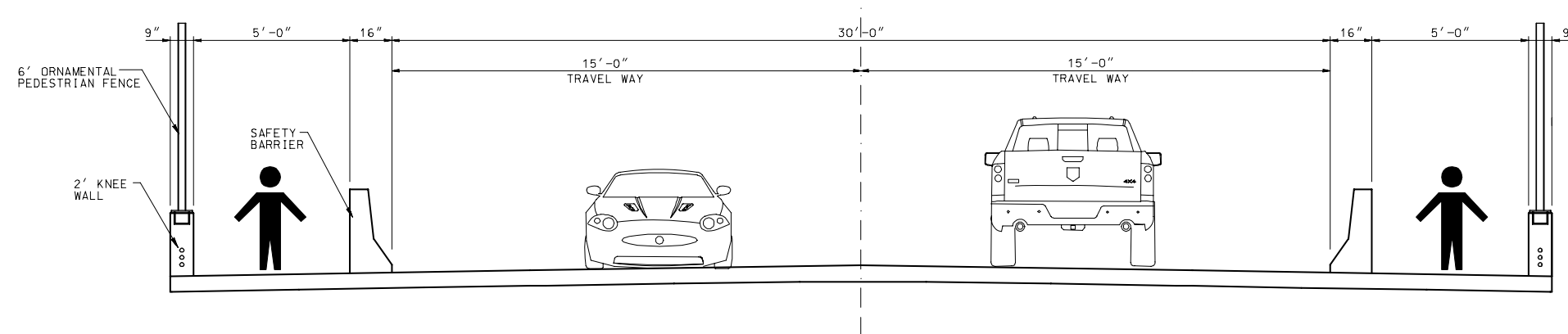
GENERAL ELEVATION



BEFORE



AFTER



CROSS SECTION VIEW  
(TYPICAL)